

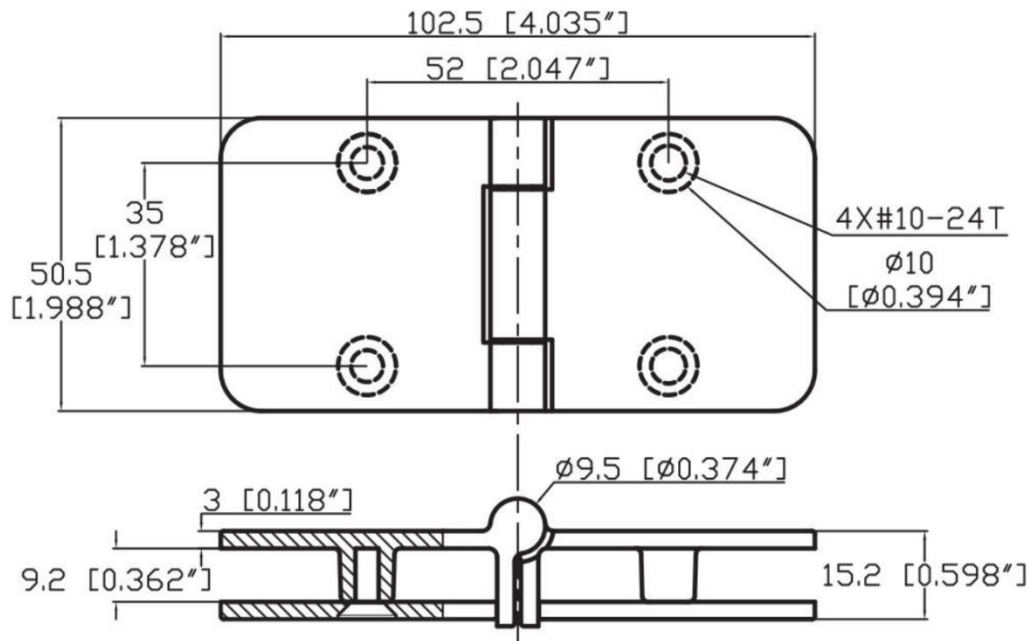
GM-GDH Stainless Steel 316 Glass Door Hinge

Features

- Thin cast hinge with extruded roll pin
- Low profile hinge barrel design is welded closed on both ends
- Tight tolerance construction
- Durability and aesthetics combined

Material

- Stainless steel 316



Part No.	Dimensions	Screw Size
GM-GDH-A319294	50.5 x 102.5	#10-24T